

DL-04

for **2013-2016**
BMW R nineT

Additional
modifications

Bracket modification

KOSO 
NORTH AMERICA

A

- To install your new Koso DL-04 meter, you will need to modify these BMW OEM parts.



A1

- The mounting bracket needs to be reamed.

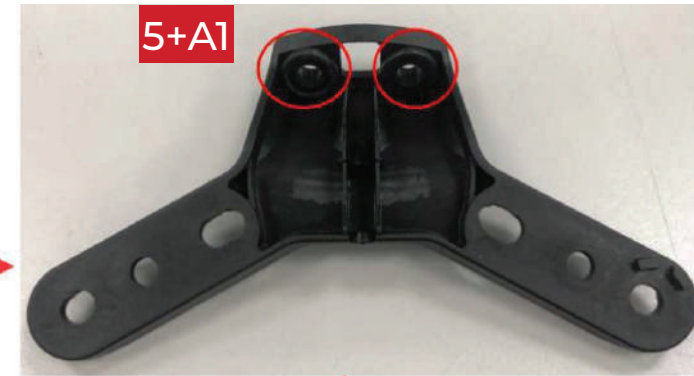
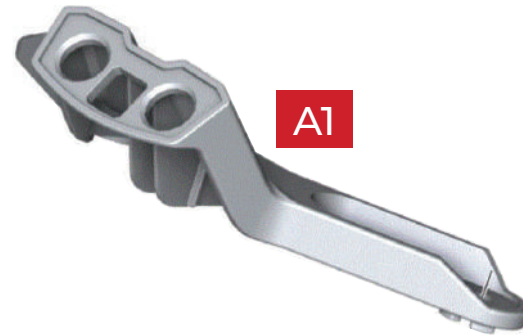
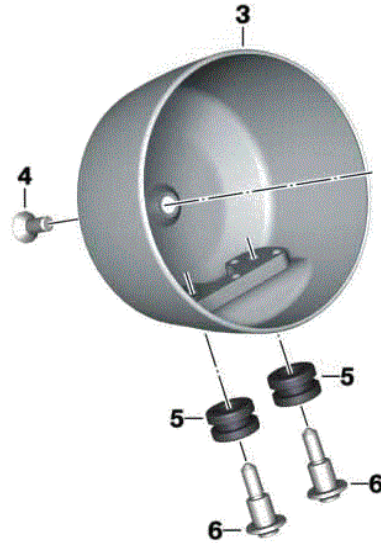


Speedometer mount assembly



B

■ To install your new Koso DL-04 meter, you will need to modify these BMW OEM parts.



Speedometer threading and bracket installation

KOSO 
NORTH AMERICA

C

■ To install your new Koso DL-04 meter, you will need to modify these BMW OEM parts.



Speedometer installation and wire securing

KOSO 
NORTH AMERICA

D

- To install your new Koso DL-04 meter, you will need to modify these BMW OEM parts.

