



• Thanks for purchasing our HD gear indicator. Before operating this unit, please read carefully the instruction sheet and retain it for future reference.

⚠ Notice

1. This meter work on DC 12 volts applications only.
2. For proper installation, please follow the steps in the instruction sheets. Any damages caused by wrong installation shall be imputed to the users.
3. Don't break or modify the wire terminals. To avoid any short circuit, do not pull out the wires out of the terminal when installing.
4. Do not disassemble or change any parts.
5. Opening the instrument will void any warranty. Maintenance or repair should be executed by our professionals only.

MARK MEANING:

NOTE Some procedures must be followed to avoid damages to the instrument.

⚠ WARNING! Some procedures must be followed to avoid damages to the instrument.

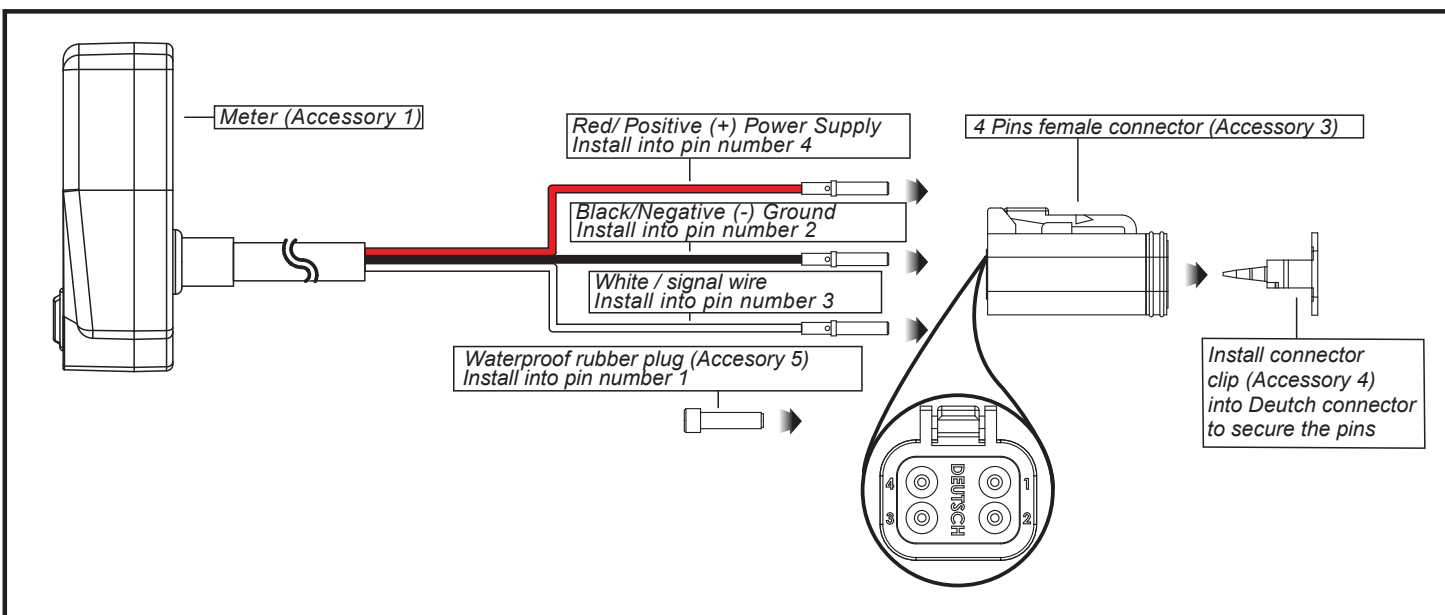
⚠ CAUTION! Some procedures must be followed to avoid damages to the vehicle.

1 Accessories

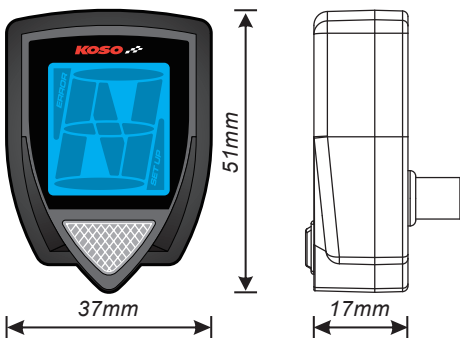
1 Meter X1	2 Velcro X1	3 4 Pins female Connector x1	4 Connector clip X 1	5 Waterproof Rubber Plug for Connector x1

NOTE Please contact your local distributor if the items received in the box are not the same as the one listed above.

2 Wiring installation



3 Functions



- Effective voltage DC 12V
- Effective temperature range -10~+60 C (14~140°F)
- Meter standard JIS D 0203
- Meter size 37 X 51 X 17mm
- Meter weight Around 51.3g

NOTE Design and specifications are subject to change without notice

4 Application List

Model	Year	Model	Year	Model	Year
1200 Custom XL1200C	2011	Dyna Low Rider FXDL	2007-2009	Softail Springer Classic FLSTSC	2007
1200 Nightster XL1200N	2009-2012	Dyna Street Bob FXDB	2009	Softail Standard FXST	2007
50th Anniversary Sportster XL50	2007	Dyna Super Glide Custom FXDC	2007-2009	Sportster 1200 Custom XL1200C	2007-2013
Cross Bones FLSTSB	2010	Dyna Super Glide FXD	2007-2009	Sportster 1200 Low XL1200L	2007-2011
Custom Vehicle Operations Dyna FXDSE	2007	Dyna Wide Glide FXDWG	2007-2008	Sportster 1200 Nightster XL1200N	2007-2008
Custom Vehicle Operations Dyna FXDSE2	2008	Electra Glide Classic FLHTC	2007-2013	Sportster 1200 Roadster XL1200R	2007-2008
CVO Dyna Fat Bob FXDFSE	2009	Electra Glide Standard FLHT	2007-2009	Sportster 883 Custom XL883C	2007-2009
CVO Fat Bob FXDFSE2	2010	Electra Glide Ultra Limited FLHTK	2010-2013	Sportster 883 Low XL883L	2010
CVO Road Glide Custom FLTRXSE	2012	Fat Bob FXDF	2008-2011	Sportster 883 XL883	2007-2008
CVO Road Glide Custom FLTRXSE2	2013	Fat Boy FLSTF	2007-2010	Sportster 883L XL883L	2007-2009
CVO Road Glide FLTRSE3	2009	Fat Boy Lo FLSTFB	2010	Sportster 883R XL883R	2007
CVO Road Glide Ultra FLTRUSE	2011	Forty Eight XL1200X	2010-2013	Sportster XR1200	2009
CVO Road King FLHRSE3	2007	Heritage Softail Classic FLSTC	2007-2010	Street Bob FXDB	2007-2011
CVO Road King FLHRSE4	2008	Iron 883 XL883N	2009-2013	Street Glide FLHX	2007-2013
CVO Road King FLHRSE5	2013	Night Rod Special VRSCDX	2010-2014	Street Glide Trike FLHXXX	2010-2011
CVO Softail Convertible FLSTSE	2010	Night Train FXSTB	2007-2009	Super Glide Custom FXDC	2010-2011
CVO Softail Springer FXSTSSE	2007	Road Glide Custom FLTRX	2010-2013	Super Glide FXD	2010
CVO Softail Springer FXSTSSE2	2008	Road Glide FLTR	2007-2009	SuperLow XL883L	2011-2013
CVO Softail Springer FXSTSSE3	2009	Road Glide Ultra FLTRU	2011-2013	Tri Glide Ultra Classic FLHTCUTG	2009-2013
CVO Street Glide FLHXSE	2010	Road King Classic FLHRC	2007-2013	Ultra Classic Electra Glide FLHTCU	2007-2013
CVO Street Glide FLHXSE2	2011	Road King Custom FLHRS	2007	V Rod VRSCAW	2010
CVO Street Glide FLHXSE3	2012	Road King FLHR	2007-2013	VRSCAW V Rod VRSCAW	2007-2009
CVO Ultra Classic Electra Glide FLHTCUSE2	2007	Rocker C FXCWC	2010	VRSCD Night Rod VRSCD	2007
CVO Ultra Classic Electra Glide FLHTCUSE3	2008	Seventy Two XL1200V	2012-2013	VRSCDX Night Rod Special VRSCDX	2007&2009
CVO Ultra Classic Electra Glide FLHTCUSE4	2009	Softail Cross Bones FLSTSB	2008-2009	VRSCR Street Rod VRSCR	2007
CVO Ultra Classic Electra Glide FLHTCUSE6	2011	Softail Custom FXSTC	2007-2010	VRSCX	2007
CVO Ultra Classic Electra Glide FLHTCUSE7	2012	Softail Deluxe FLSTN	2007-2010	Wide Glide FXDWG	2010-2011
CVO Ultra Classic Electra Glide FLHTCUSE8	2013	Softail Deuce FXSTD	2007	XR1200	2010
CVO Ultra Classic FLHTCUSE5	2010	Softail Rocker C FXCWC	2008-2009	XR1200X	2011
Dyna Fat Bob FXDF	2009	Softail Rocker FXCW	2008-2009		