

INSTRUCTION




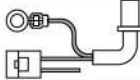





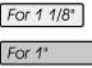

Thanks for purchasing our heated grip switch. Before installing, please read carefully the instruction sheet and retain it for future reference.

⚠ ATTENTION!

1. For proper installation, please follow the steps described in the instruction. Any damages caused by wrong installation shall be imputed to the users.
2. Do not disassemble or change any parts.
3. Opening the heated grip switch will void any warranty. Maintenance should be executed by our professionals.

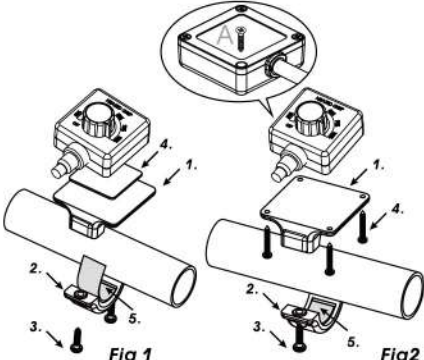
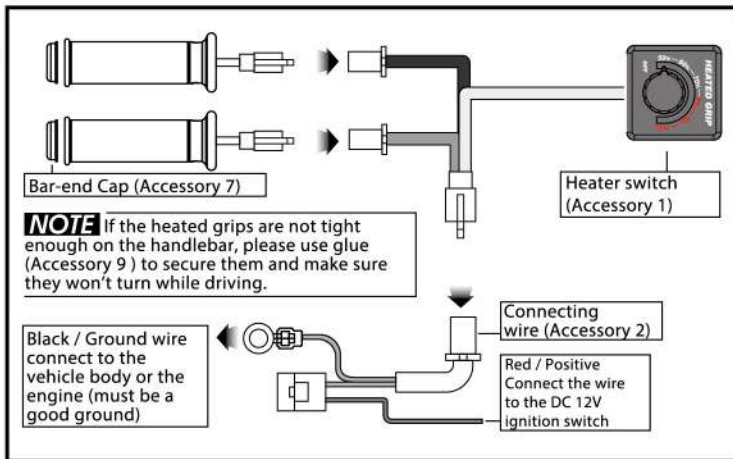
READ CAREFULLY! If any information mentioned in the instruction remains unclear, please seek for professional assistance.

1-1 ACCESSORIES

| | | | |
|--|--|---|---|
| 1 Heater switch x1  | 2 Connecting wire x1  | 3 Handle bar bracket x1  | 4 M2 x 8 L screw x4  |
| 5 M3 x 12 L screw x2  | 6 Velcro x1  | 7 Bar-end Cap x2  | 8 Rubber x1 (For 1" & 1 1/8")  |
| 9 Glue x1  | | | |

NOTE Please contact your local distributor if the items received are not the same as the one received.

2-1 Wiring installation instruction



When installing, please follow the steps below.

1. Handle bar bracket (Accessory 3)
2. Handle bar bracket (Accessory 3)
3. M3 X 12 L screw X2 (Accessory 5)
4. Velcro (Accessory 6)
5. Heater switch (Accessory 1)

A Secure the handle bar bracket on the handle bar and then stick the Velcro on the bracket. Use the Velcro to stick the switch on the bracket.

NOTE If you prefer not to use Velcro, unscrew the 4 screws on the back of the switch. Use the M2 X 8 L screws (Accessory 4) to secure the switch on the handlebar bracket.

Fig 1 **Fig 2**

3-1 OPERATIONAL INSTRUCTION



1.Key-ON



2.Turn the switch to the desire heating level.

| | Output |
|-------|------------------|
| OFF | approx. 0% |
| LED 1 | approx. 40%~50% |
| LED 2 | approx. 51%~60% |
| LED 3 | approx. 61%~70% |
| LED 4 | approx. 71%~80% |
| LED 5 | approx. 81%~90% |
| LED 6 | approx. 91%~100% |

3-2 LED Indicator Warning Function

Flashing from Right to Left



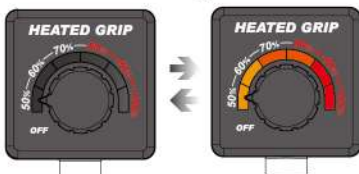
Low Voltage Warning: The voltage warning will go on if the voltage is lower than 12V (DC). When the warning is ON, the switch will automatically cut off the power supply to the heated grips. To stop the warning function: Wait until the voltage of the battery reach 13V or turn the switch to the "OFF" position.

To reactivate the warning function : Wait until the voltage is back to 13 V, or turn off the switch and turn it on again and restart the engine (Battery need 12 V at least).

Note: 1) If the switch is not set OFF during the warning, the grips will start heating automatically when voltage is back to 13 V.

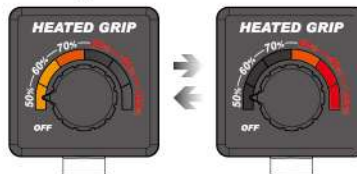
2) If the engine is not restart, the the switch will warn you until the voltage is back to 13 V.

All LED's are Flashing



Short Circuit Protection Warning:
The system has detected a short circuit.
To stop the warning lights:
Turn the switch to OFF position and double check the all wirings to see if there is any possible short circuit.

Flashing from Side to Side



Component Malfunction Warning:
Their is an internal PCB components malfunction.
To stop the warning lights:
Turn OFF the power supply and remove the heated grip switch.